



Belldinni Invisible Frame

Scan this QR code to get video
Installation Instructions on your phone



Scan this QR code to get Invisible Door
Installation Instructions on your phone

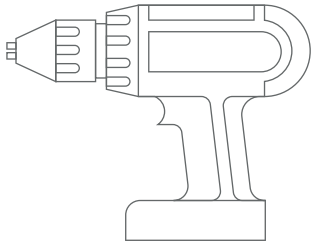




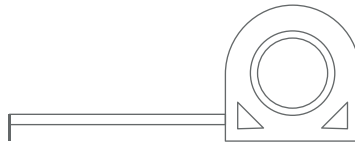
belldinni
always solid

NECESSARY TOOLS

not included



Power drill



Tape measure



Chisel



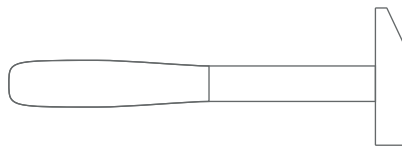
Self-centering
Hinge Drills



Level



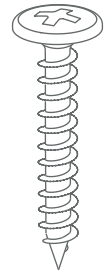
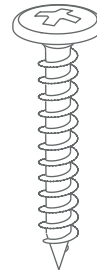
Shims



Hammer

G

H

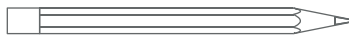


Screws

Screws



Safety glasses



Pencil



Do not use standard
nails and hammer



Do not step
on the door



Do not lay down
on edges

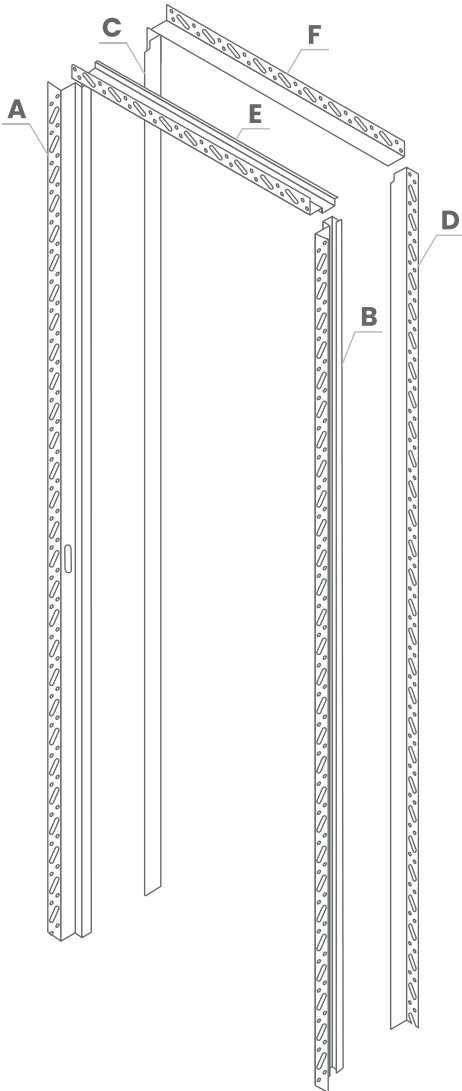


Do not lean
on the wall

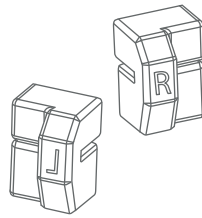
WARNING!

Please do not throw away the packing
cardboard until the end of the installation

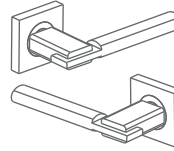
Invisible Door Frame



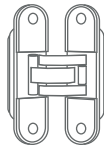
Options with European handle may include components below:



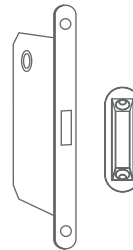
Connectors



Door handle



Concealed hinges

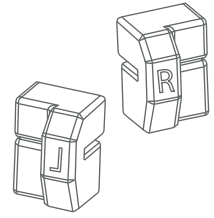


Door lock

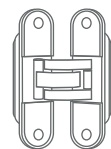


Hinge caps

Options with bore for American standard handle may include components below:



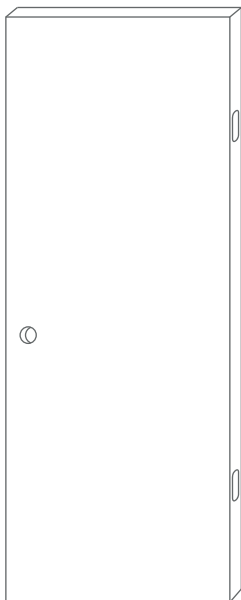
Connectors



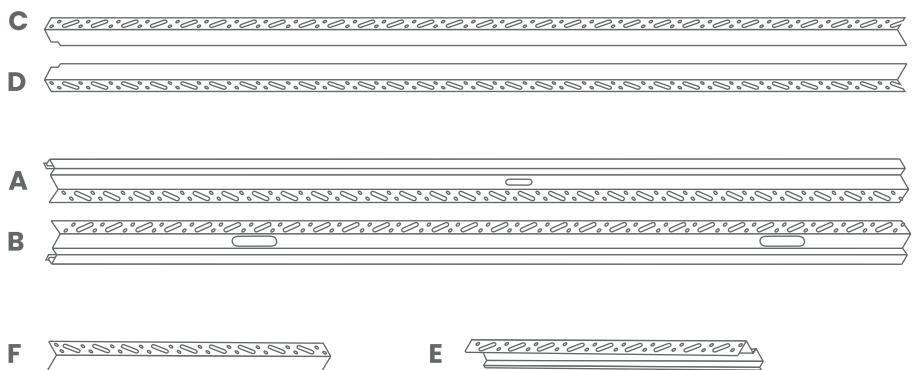
Concealed hinges



Hinge caps



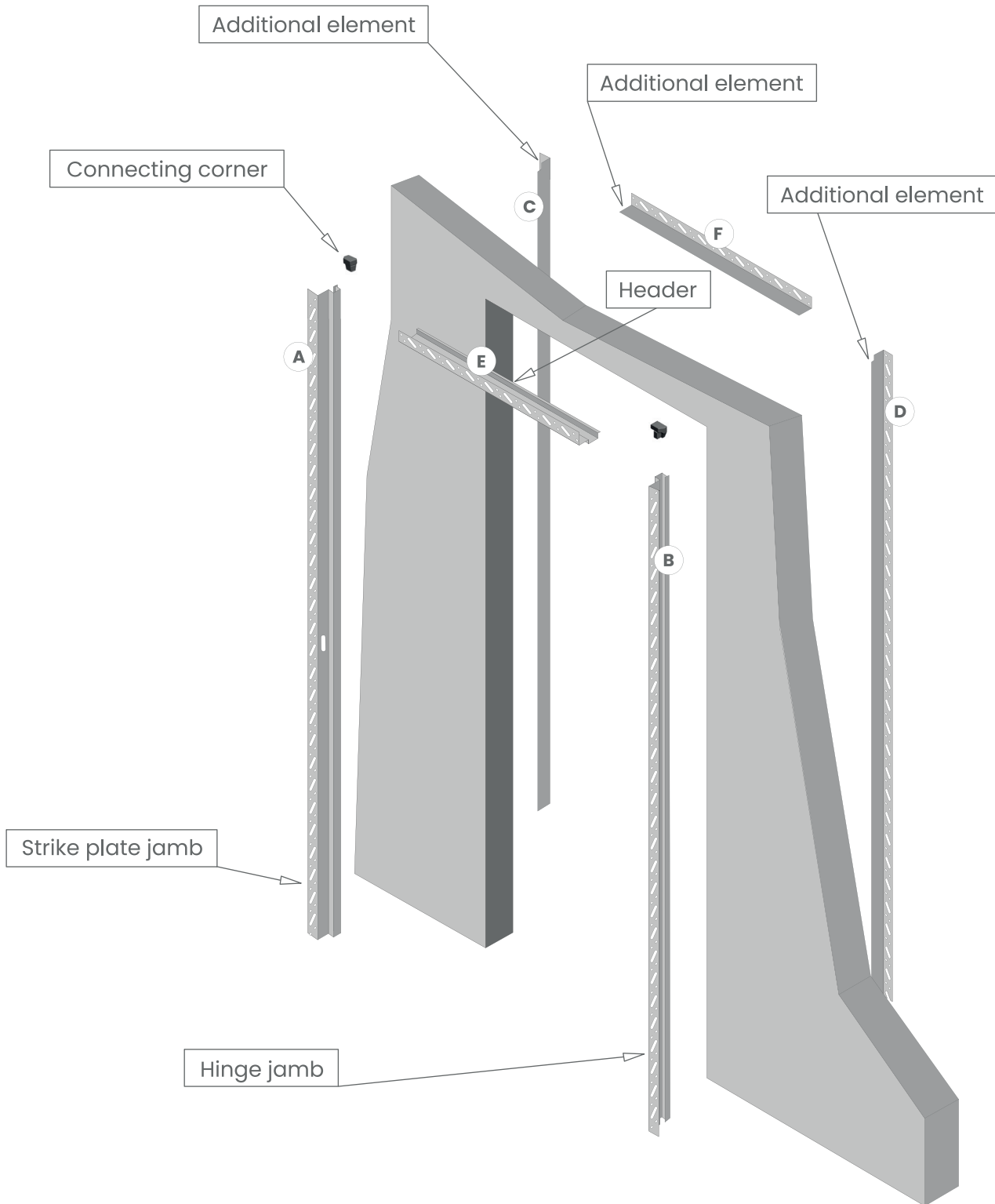
Door slab is already pre-drilled for hinges and handle.



The length of the screw for installation must be selected depending on the type of wall.

Amount of screws depends on the height of the frame: 80" frame will need 24 self-tapping screws for full frame.

Locations of the invisible jamb parts



STEP 1.

Door opening should be prepared based on recommendation and in accordance with the type of door frame: Invisible or Reverse Invisible type

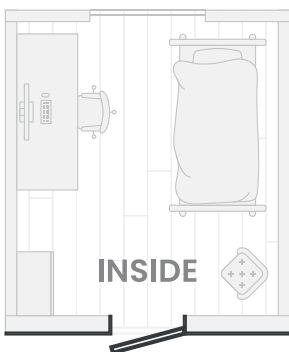
To prevent sizing errors, carefully review the size chart below to ensure the correct rough opening (RO) is built.

	RO Height:	RO Width:
Invisible type	Actual door slab height + 1 ¼"	Actual door slab width + 1 13/16"
Reverse Invisible type	Actual door slab height + 2"	Actual door slab width + 1 ¼"

Check swing directions according to the chart below.

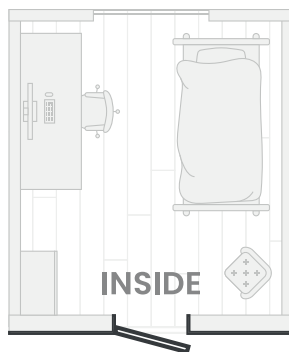
This installation instruction is for outswing invisible jambs only and helps with installation of any swing directions you find on the 4 pictures below. Apart from choosing the swing direction, the rest of the instruction is the same for both types of frame.

OUTSWING INVISIBLE DOOR



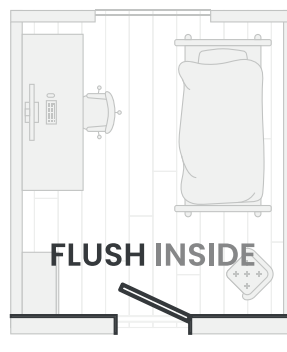
FLUSH OUTSIDE

RIGHT HAND OUTSWING



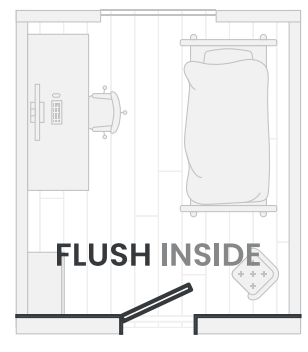
FLUSH OUTSIDE

LEFT HAND OUTSWING



OUTSIDE

RIGHT HAND INSWING

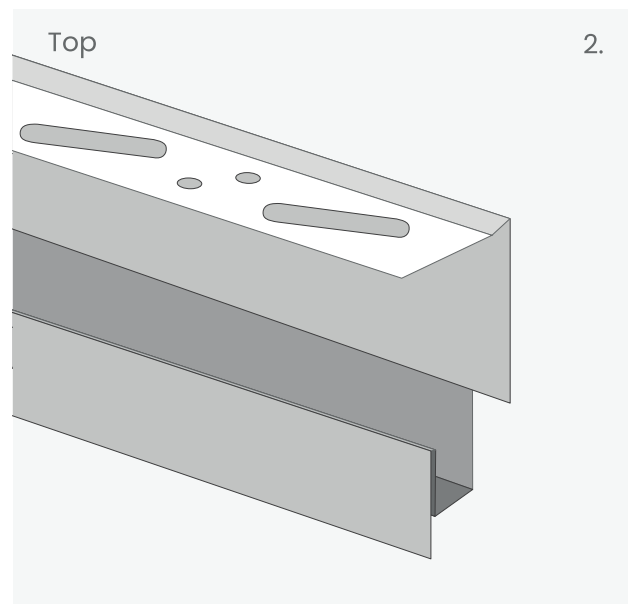
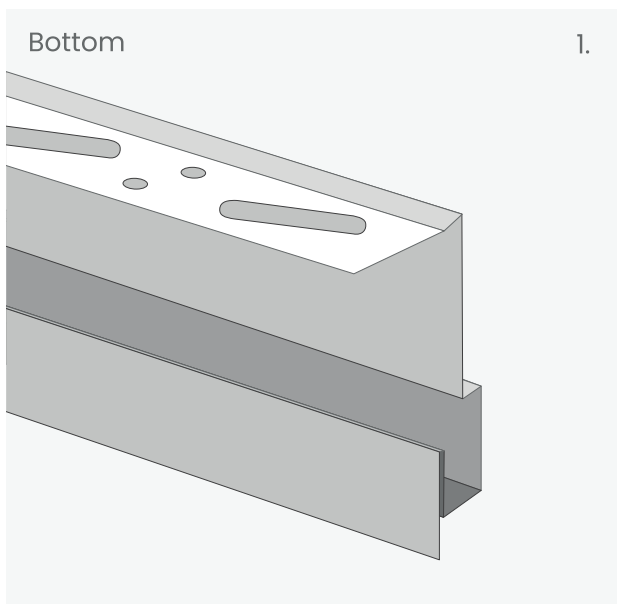
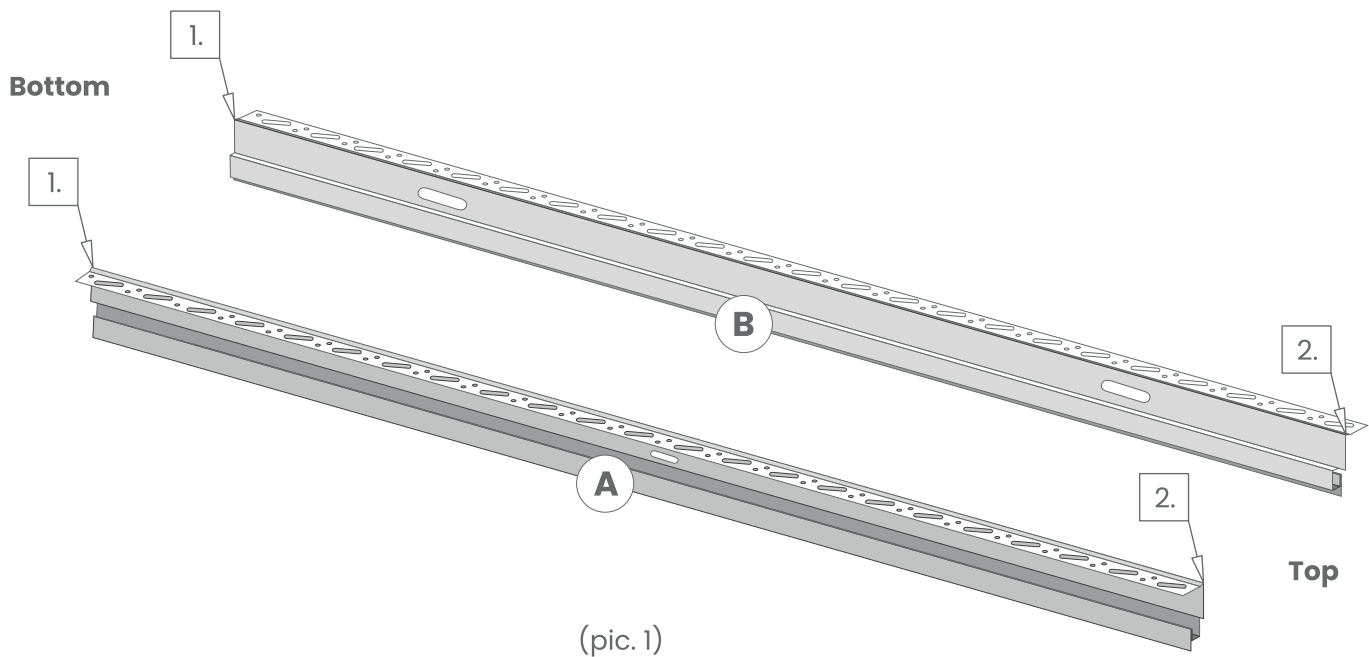


OUTSIDE

LEFT HAND INSWING

STEP 2.

Finding top and bottom sides of the invisible door jambs



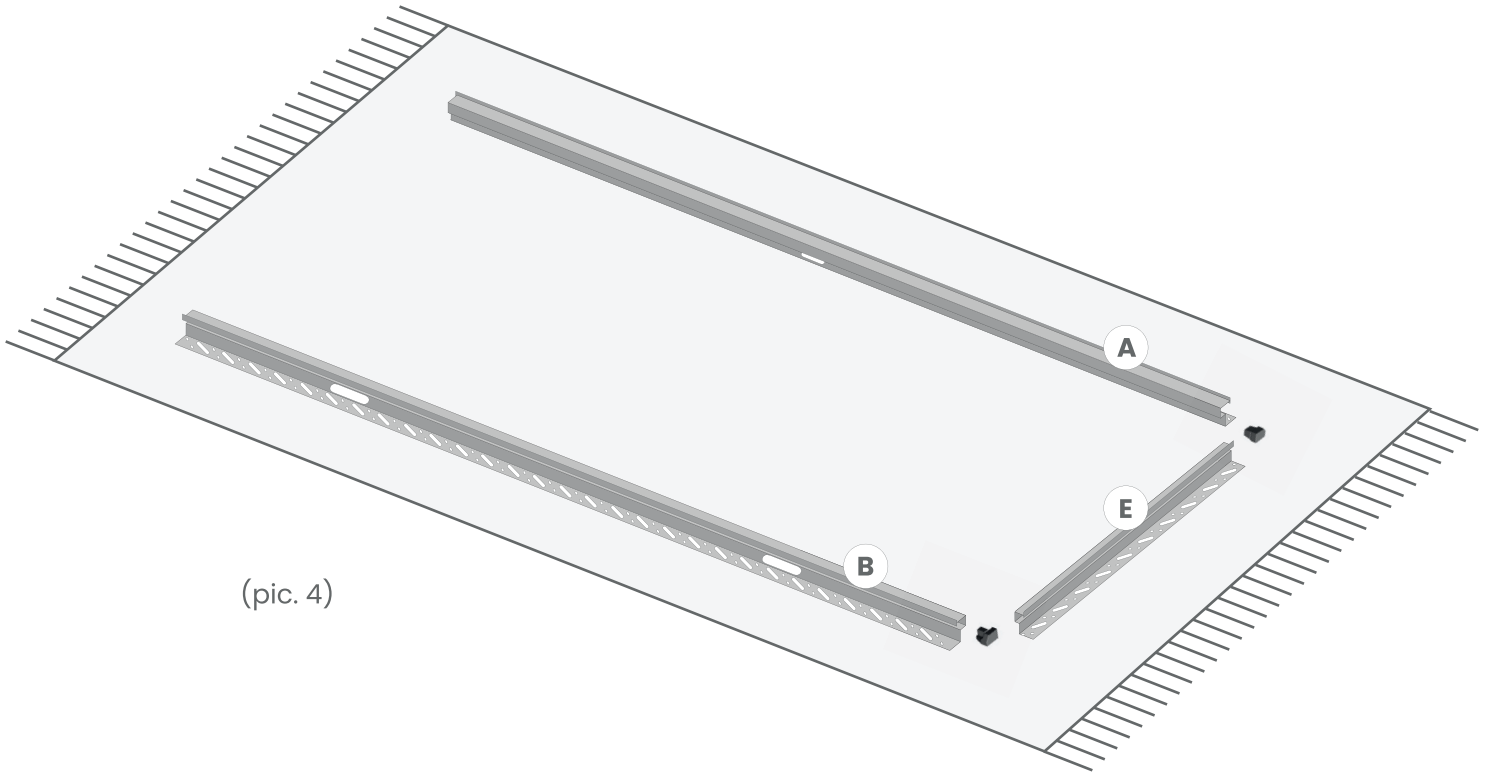
(pic. 2)

(pic. 3)

STEP 3.

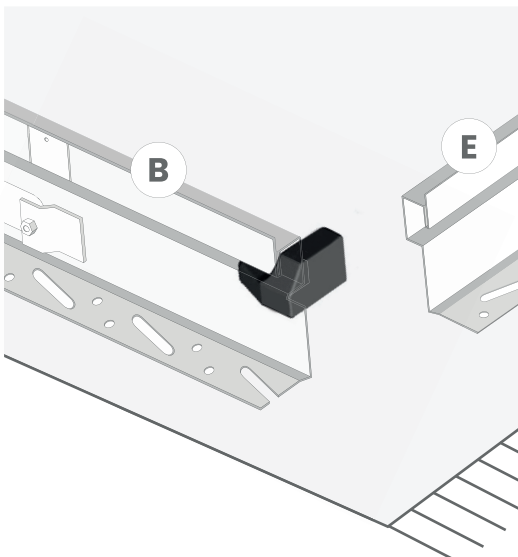
Locate door jambs A, B, E on the floor mentioning top and bottom position on the A and B jambs as shown on the (pic. 4)

Connect A, B, E parts of the jamb with plastic connectors.

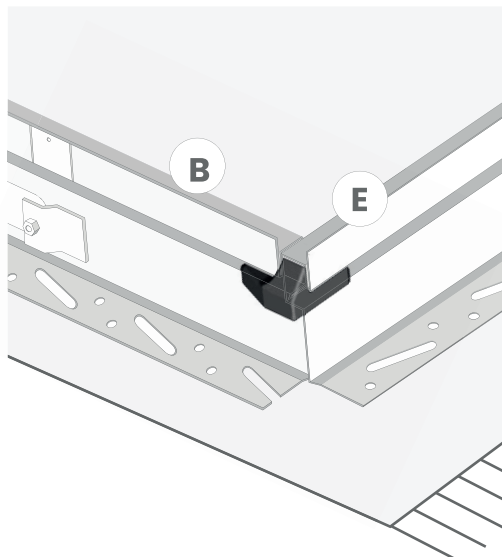


(pic. 4)

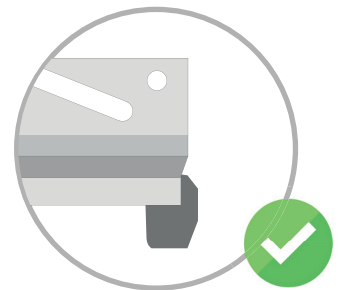
Insert plastic connector all the way with no gaps like shown on the (pic 7.)



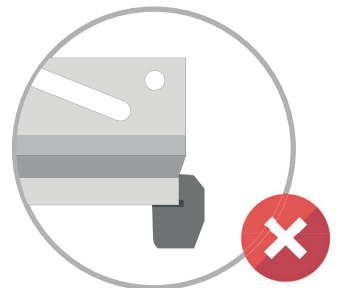
(pic. 5)



(pic. 6)



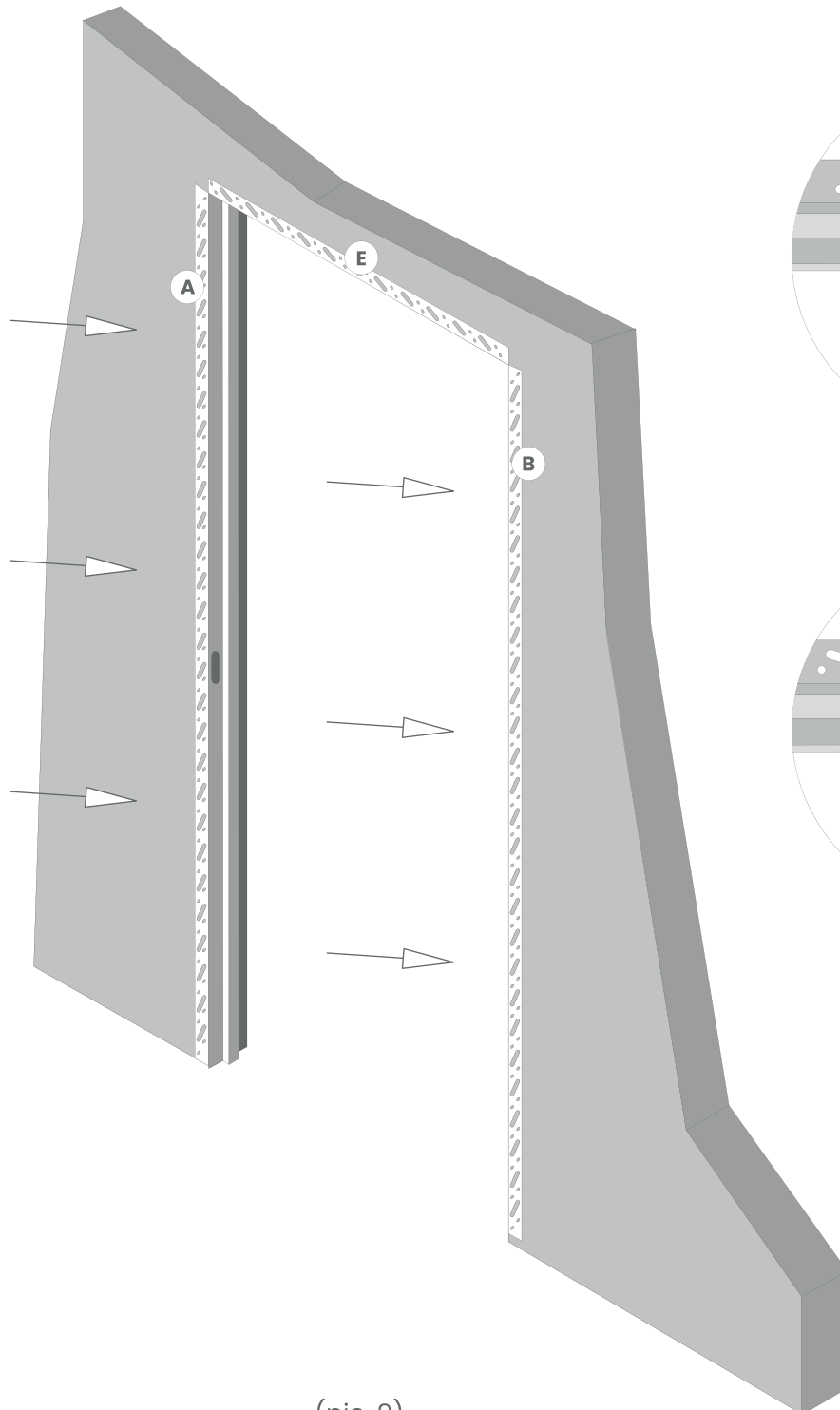
(pic. 7)



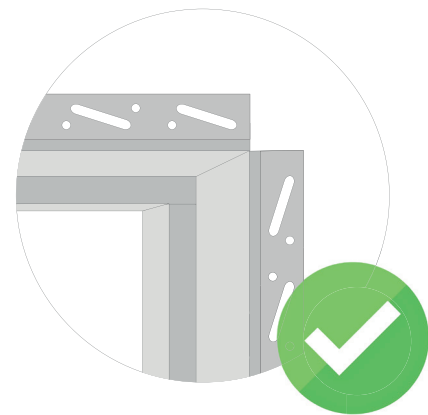
(pic. 8)

STEP 4.

Attach connected A, B, E jamb pieces to the door opening keeping in mind your chosen swing direction.



(pic. 9)



(pic. 10)

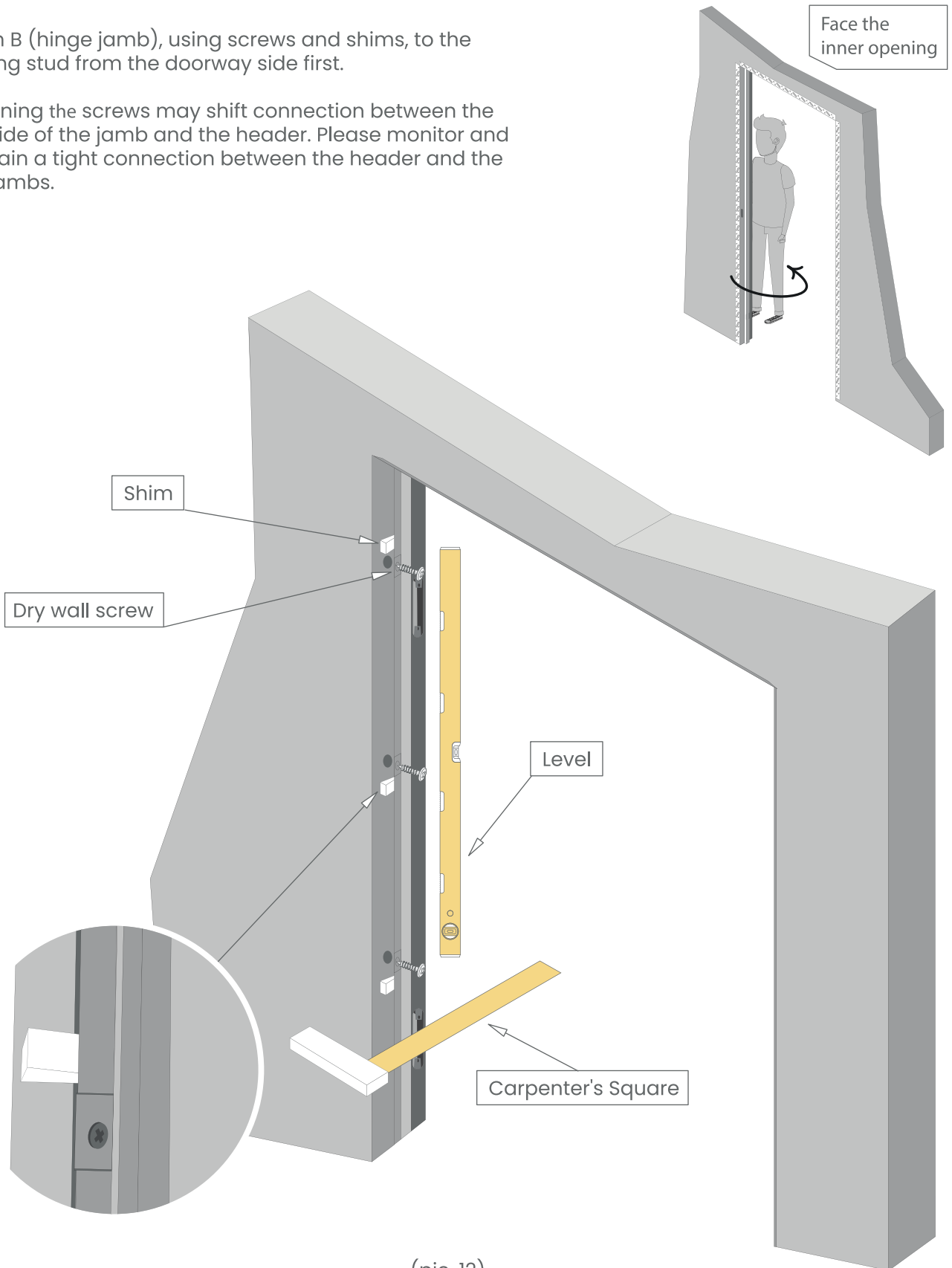


(pic. 11)

STEP 5.

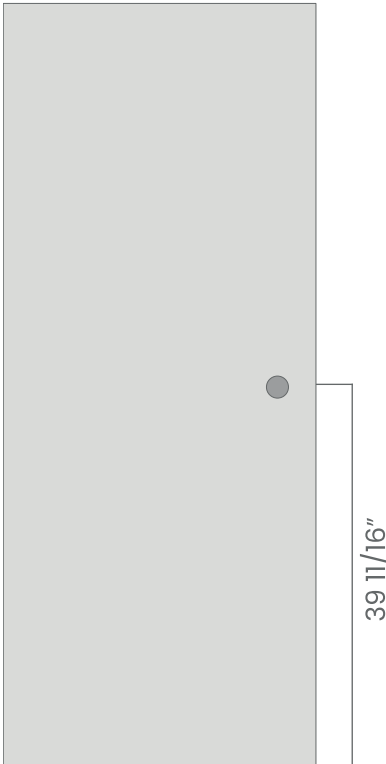
Attach B (hinge jamb), using screws and shims, to the opening stud from the doorway side first.

Tightening the screws may shift connection between the long side of the jamb and the header. Please monitor and maintain a tight connection between the header and the long jambs.



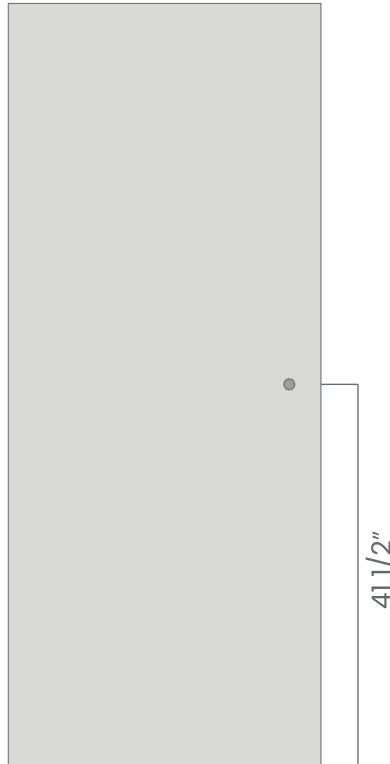
(pic. 12)

**American
handle**



(pic. 13)

**European
handle preparation**



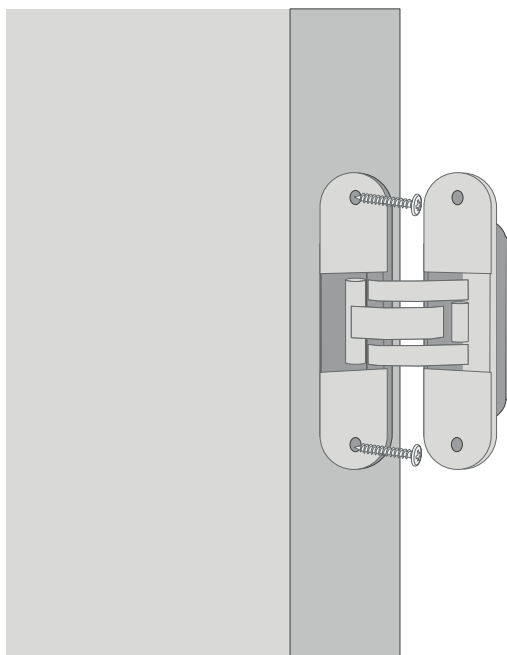
(pic. 14)

STEP 6.

Find top and bottom of the door slab.

The distance from bottom of the door slab to the center of the backset (American handle is 39 11/16").

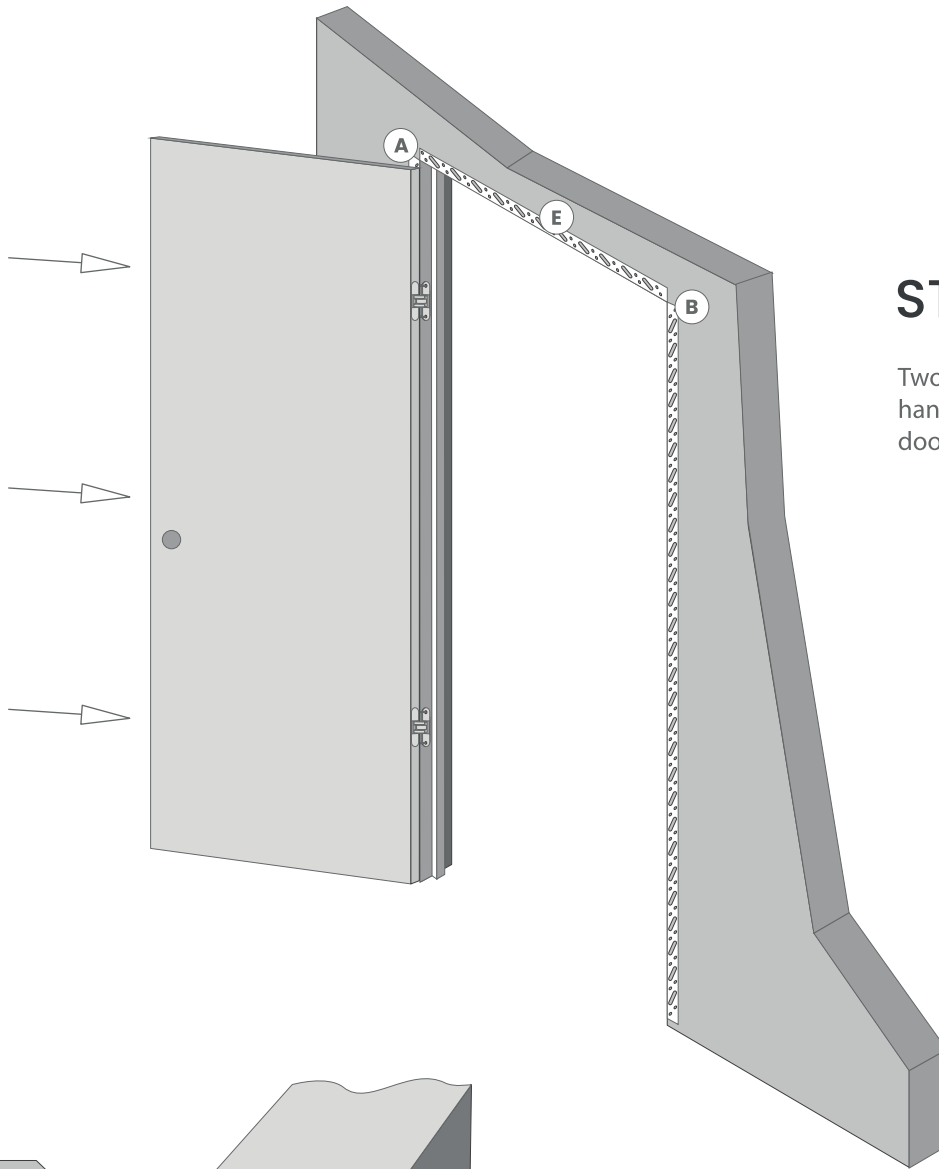
The distance from the bottom of the door slab to the center of the (European handle preparation is 41 1/2").



(pic. 15)

STEP 7.

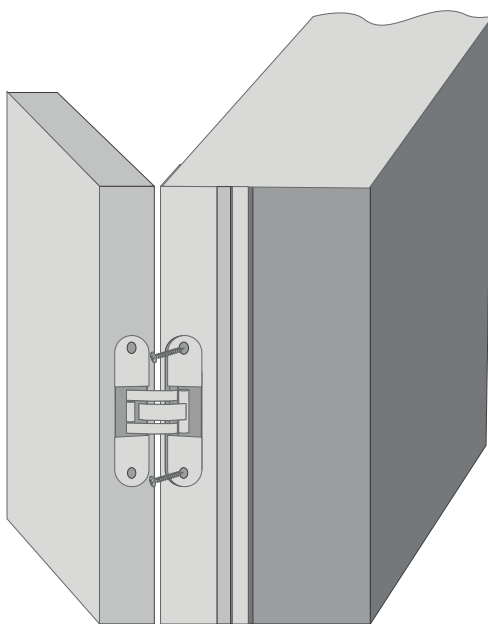
Please, pre-drill future screw locations on the door slab with a smaller than screw diameter drill bit before you secure screws. Don't apply hinge caps at this stage.



STEP 8.

Two people are required to hang the door slab on the door jamb.

(pic. 16)



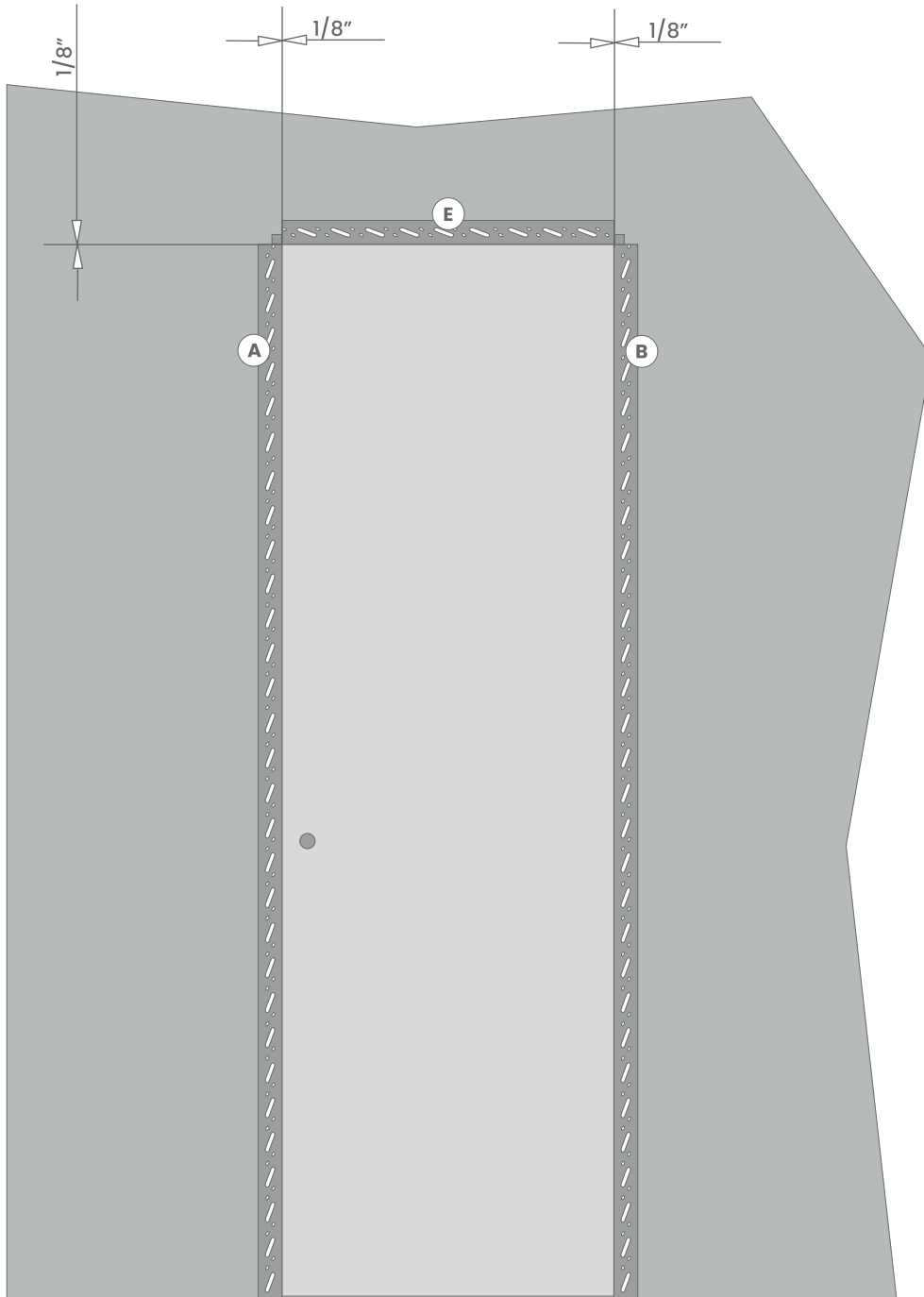
(pic. 17)

STEP 9.

Secure door hinges to the door jamb with the help of the screws attached to the door jamb. All door jambs come with special screws attached to the preparations of the hinges.

STEP 10.

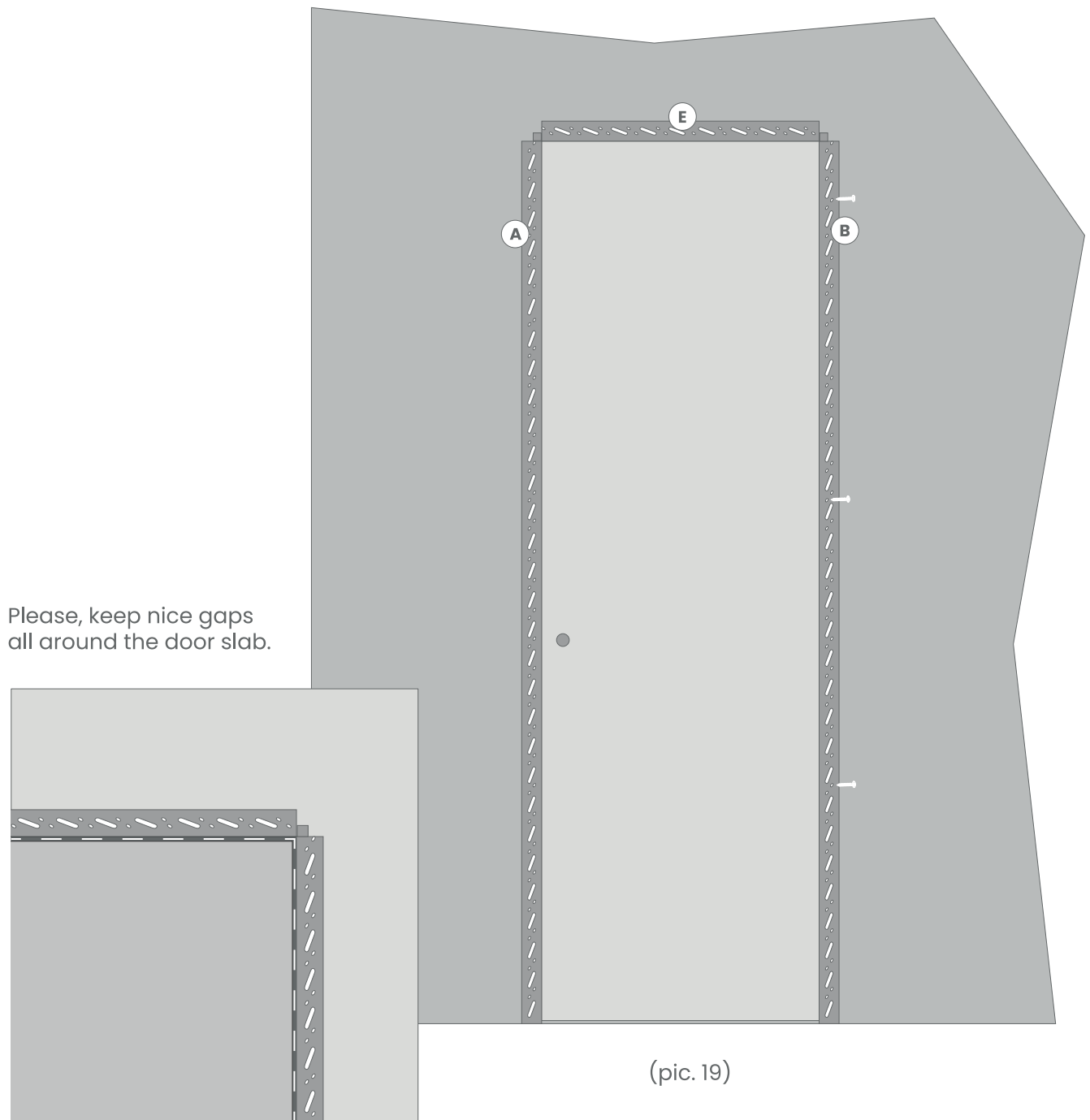
Close the door and align A, B, E jamb pieces around the door slab.
Keep nice looking gaps between door slab and jambs. Standard gaps shown in the picture.



(pic. 18)

STEP 11.

Secure 3-6 screws on the B (hinge side) of the jamb. Check the level of the door and make sure it is not opening or closing by itself. Take screws out and adjust if needed.

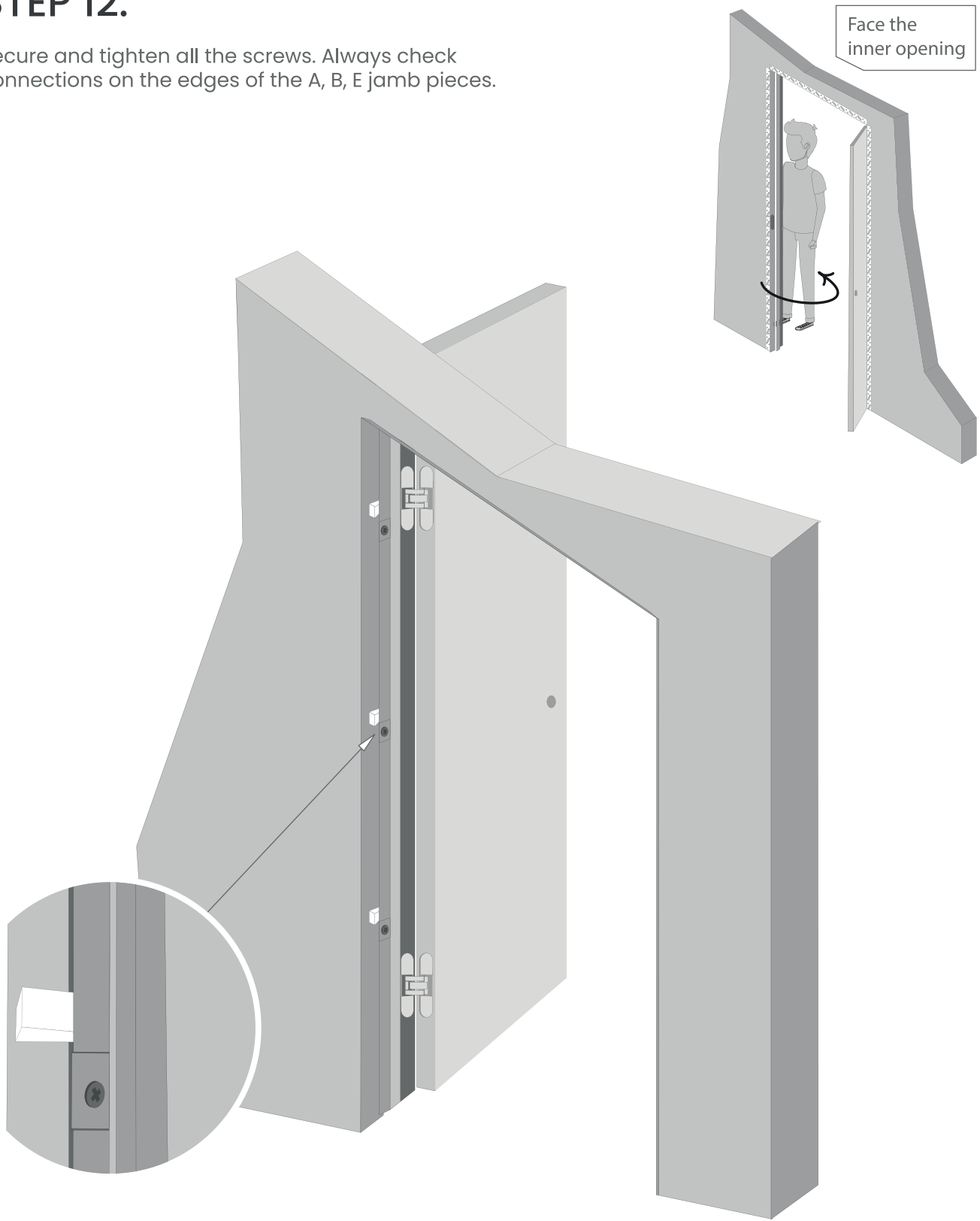


(pic. 20)

(pic. 19)

STEP 12.

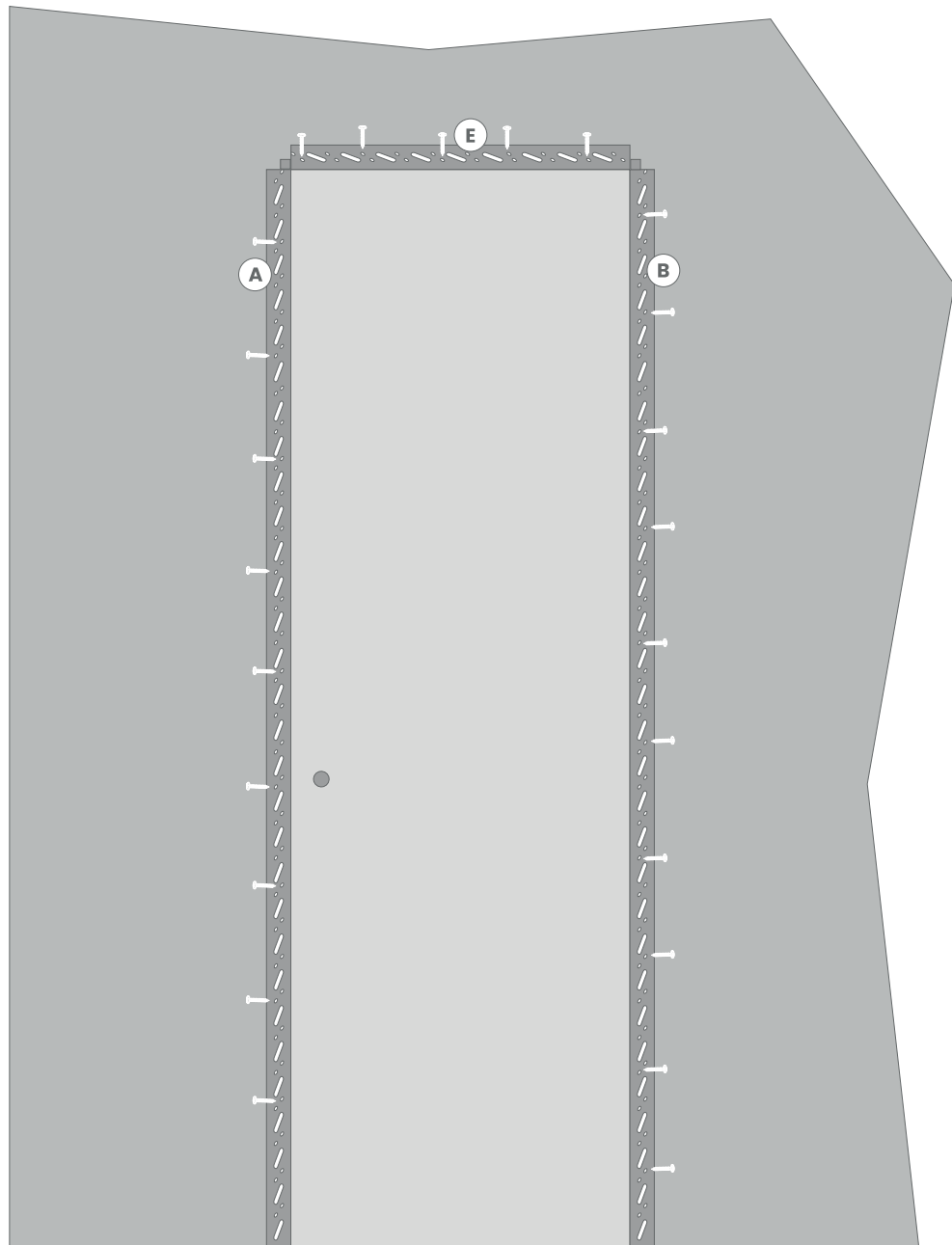
Secure and tighten all the screws. Always check connections on the edges of the A, B, E jamb pieces.



(pic. 21)

STEP 13.

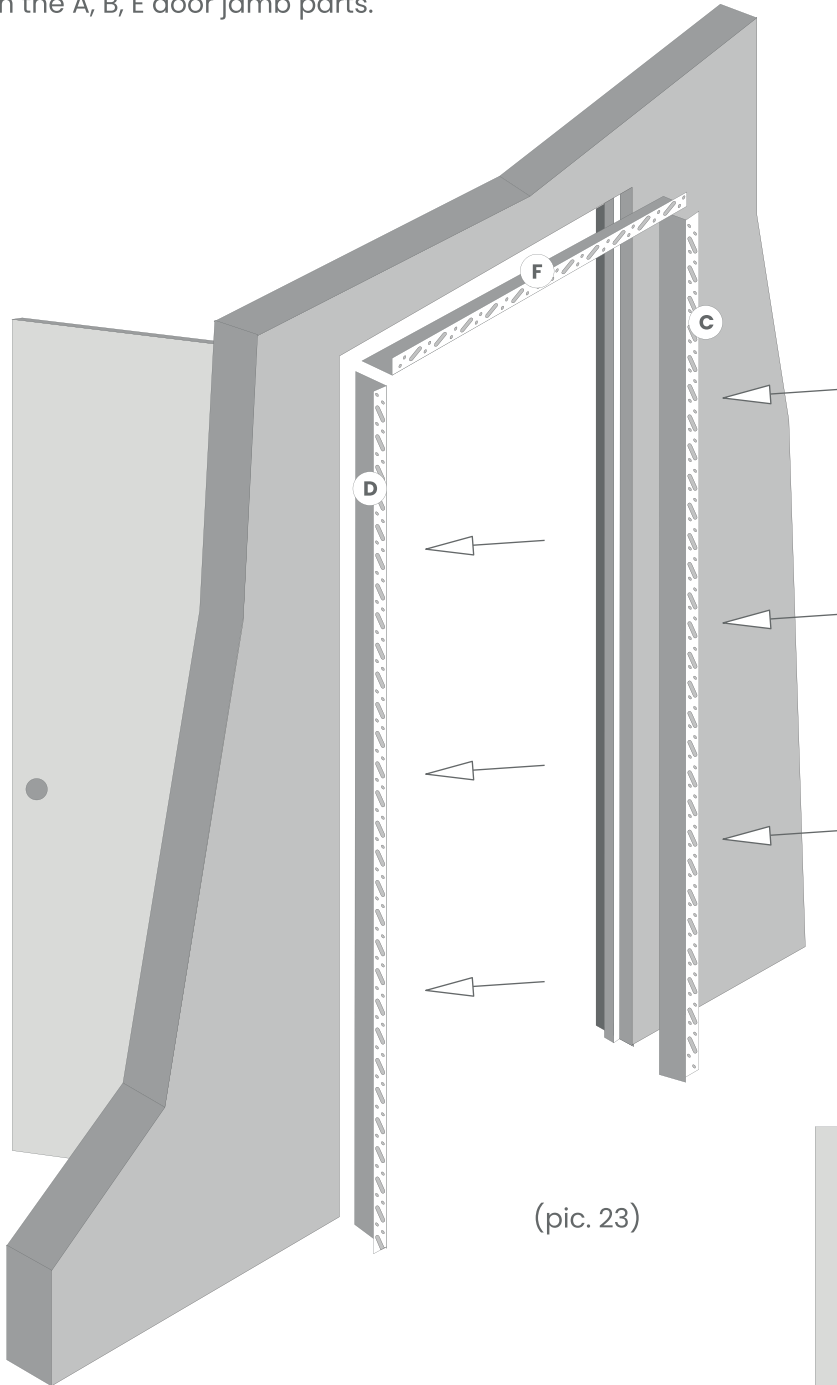
Secure maximum screws all around the door jamb. Please, keep nice gaps between door slab and door jambs.



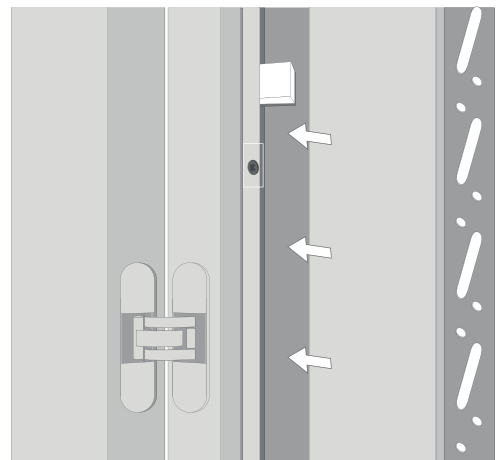
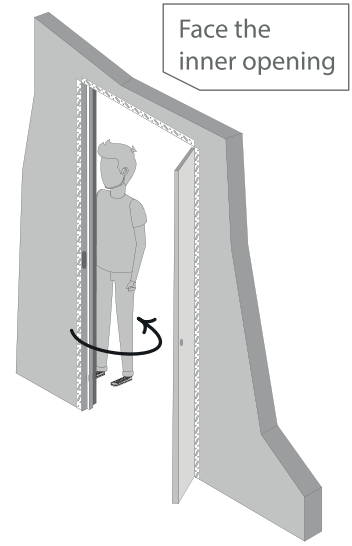
(pic. 22)

STEP 14.

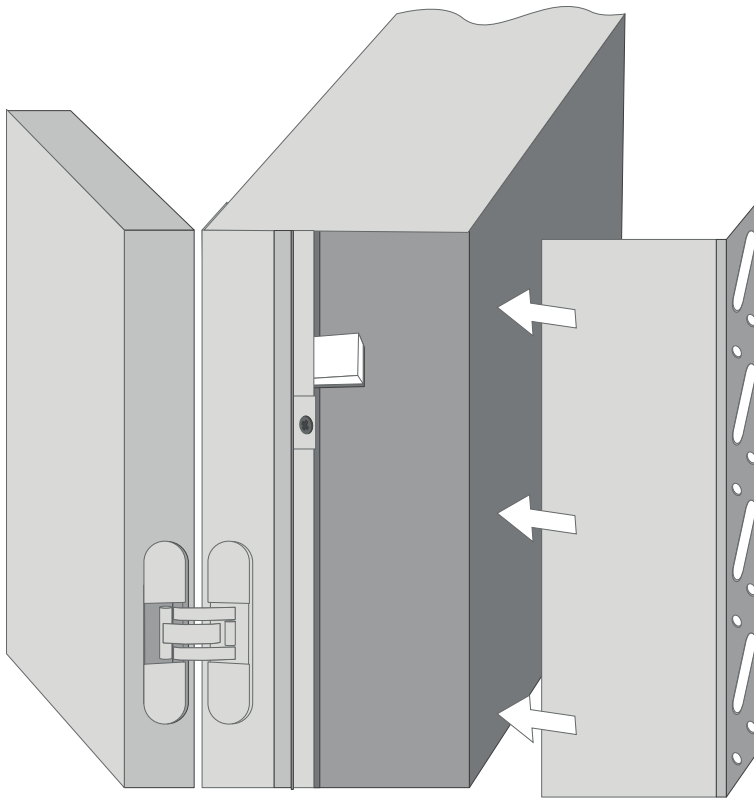
Install D, C, F jamb pieces inserting them in the A, B, E door jamb parts.



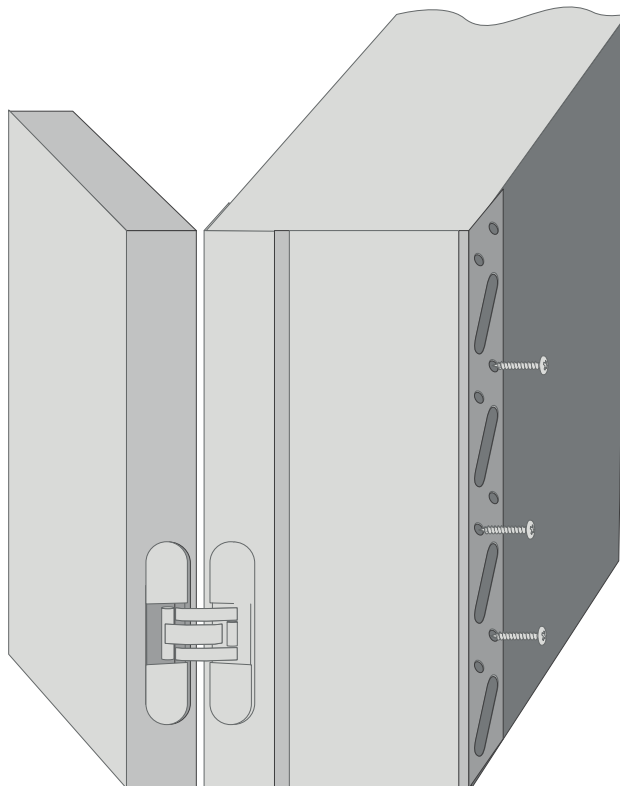
(pic. 23)



(pic. 24)



(pic. 25)



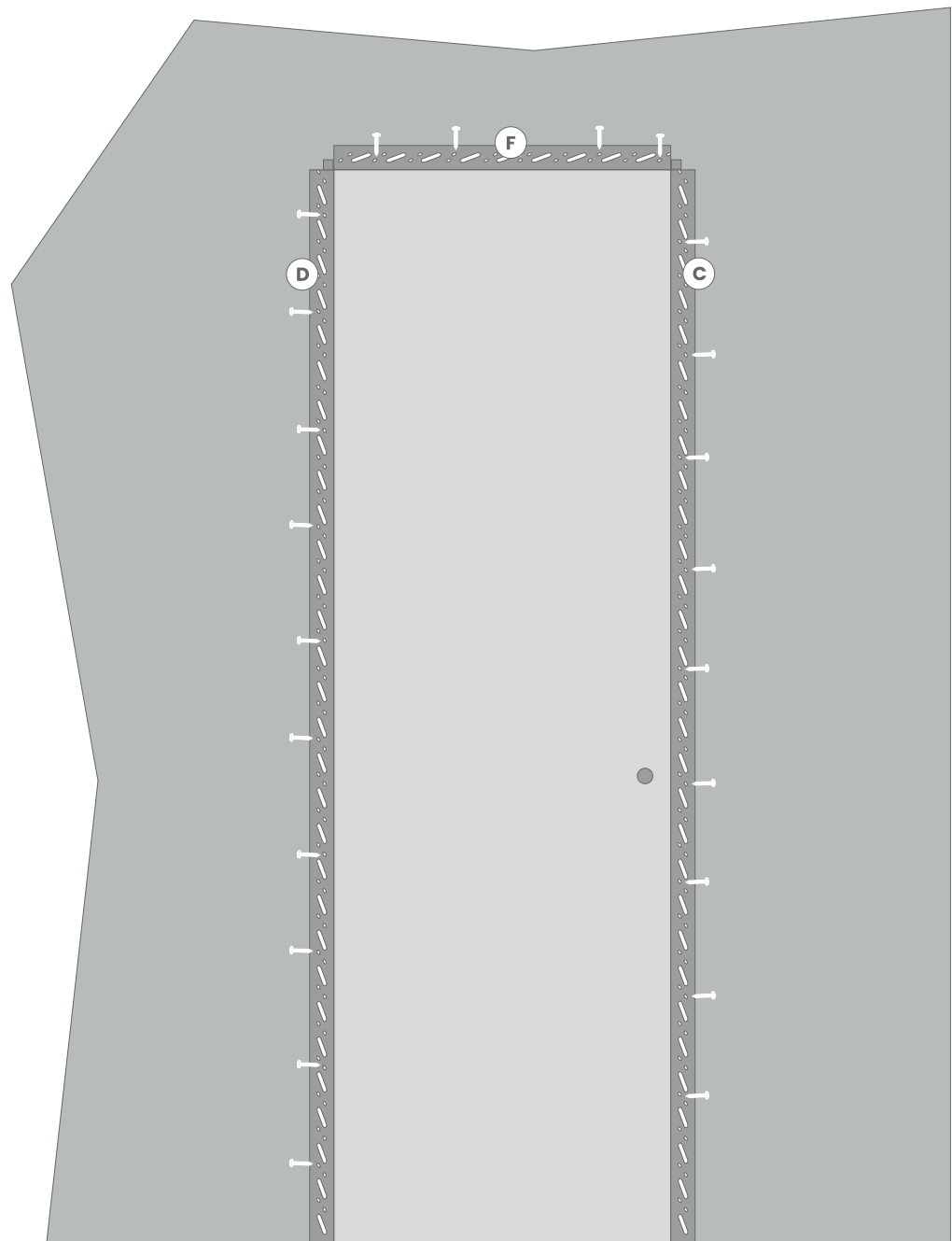
(pic. 26)

STEP 15.

Detailed view of the additional elements connected with the main parts of the invisible door jambs.

STEP 16.

Tightly secure the screws all around the door jamb. Please, keep nice gaps between door slab and door jambs.



Adjust door hinges
if needed.



Apply hinge caps and
proceed with putting
and painting.



(pic. 27)



Warranty information